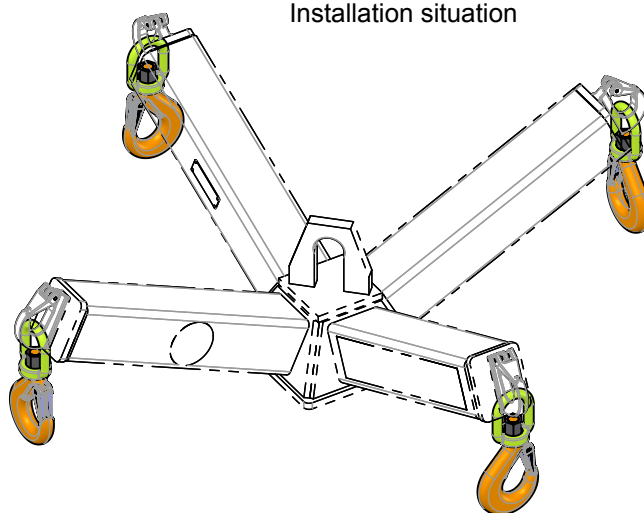


Einbausituation /
Installation situation



Type: KWH-4000

max. zul. Last / max. load = 4000kg pro Strang / per rope

max. zul. Last der Lasttraverse beachten!
Pay attention to max. load of the Bigbag Crossbar!

Issue: 07.05.2019



RATEC
Rationalisierungs- & Verfahrenstechnik GmbH
Anton Reichel Straße 2
Tel. +43 4212 39502-0
office@ratec.at

A-9300 St.Veit a.d. Glan
Fax +43 4212 39502-90
www.ratec.at

Scale: 1:2

Dimensions in mm



Material: -

Weight: 1,9kg pro Haken / per Hook

Description:

Maßblatt / Dimension sheet
Wirbelhaken / Rotary swivel hook
für Lasttraverse / for Bigbag Crossbar

Copyright attend to
ISO 16016!

Drawing Number:

15-12936-B0000-004_0-MBL

Page

1

1 Pg.

| Rev. | Modification | Date | Name |
|------|--------------|------|------|
| | | | |

CHANGES RESERVED!!

Original: